



Microelectronic gauge pressure sensors HD Series

- ▶ Resolution 0,01 %
- ▶ Operating pressure range
from 0-100 to 0-500 MPa
- ▶ Operating temperature range
from -45 to +200 °C
- ▶ Electrical insulation
strength – 700 V
- ▶ Titanium body

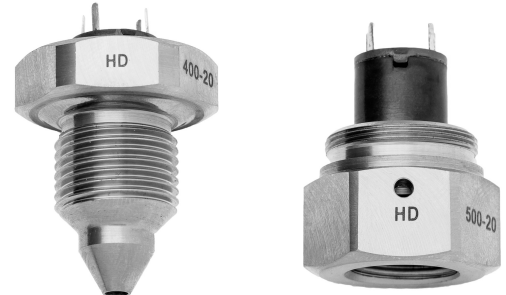
Applications

- Industrial automatics
- Oil and gas industry
- Hydraulics/Pneumatic
- Pumping stations/ Compressors
- Heat metering

- The sensors are intended for proportional conversion of pressure into electric signal.

New solutions in pressure measurement – “Silicon-on-Sapphire” Technology

- √ Sensitive element of pressure sensors is a two-layer sapphire-titanium diaphragm with monocrystal silicon resistance strain gauges.
- √ Monocrystal sapphire diaphragm is a perfect elastic element that due to connection with titanium acquires the best quality as to the deformation level, and preserves its elastic properties up to +400°C.
- √ Monocrystal silicon resistance strain gauges are automatically connected with sapphire (heteroepitaxy method) and provide almost no hysteresis or fatigue effects.
- √ Exceptional insulating properties and radiation resistance of sapphire enable to use the sensitive element within temperature range from -200 to +350°C under the effect of high electromagnetic interferences and radiation.
- √ Strain gauges elements are manufactured in groups by solid-state micro-electronic methods and provide high quality and good repeatability of the output parameters.



Microtensor

High pressure sensors HD Series

Datasheet

1 Nominal, overload and burst pressure

Nominal pressure, MPa	0 ... 100	0 ... 160	0 ... 200	0 ... 250	0 ... 400	0 ... 500
Overload pressure, MPa	-0,1 ... 150	-0,1 ... 240	-0,1 ... 300	-0,1 ... 375	-0,1 ... 450	-0,1 ... 550
Burst pressure, MPa	250	400	450	500	550	650

2 Temperature ranges

2.1 Operating temperature range

- 2.1.1 Version 1from - 45 to + 125°C
- 2.1.2 Version 2from - 45 to + 155°C
- 2.1.3 Version 3from - 45 to + 200°C

2.2 Limiting temperature range

- 2.2.1 Version 1 from - 60 to + 130°C
- 2.2.2 Version 2 from - 60 to + 160°C
- 2.2.3 Version 3from - 60 to + 205°C

3 Accuracy parameters

- 3.1 Resolution, % FS0,01
- 3.2 Non-linearity, % FS±0,15
- 3.3 Variation, % FS0,05
- 3.4 Output signal repeatability, % FS±0,05

Microtensor

High pressure sensors HD Series

- 3.5 Long-term stability of the output signal range within 12 months, %±0,15
- 3.6 Additional ambient temperature error, % FS/1°C
 - 3.6.1 For zero output signal ±0,05
 - 3.6.2 For output signal range
 - operating temperature range from -45 to +125 °C ±0,05
 - operating temperature range from +125 to +200 °C -0,05±0,025
- 3.7 Additional vibration error of the output signal, % FS±0,05
- 3.8 Zero output signal error caused by the torque effect on the sensors, % FS
 - with male thread (MH1, MH2, MB1, MB2)±0,02
 - with female thread (2M, 2U) ±0,25

4 Electrical characteristics

- 4.1 Output signal at room temperature by stabilized DC voltage 10 V
 - 4.1.1 Zero output signal, mV±10
 - 4.1.2 Output signal range (FS), mV 150±50
- 4.2 Strain gauge bridge resistance at room temperature, kOhm 3,40-4,85
- 4.3 Temperature resistance coefficient of the strain gauge bridge, K⁻¹ ..(1,75±0,1)·10⁻³
- 4.4 Insulation resistance, MOhm
 - at room temperature100
 - at the upper ambient temperature value 20
- 4.5 Electrical insulation strength (AC voltage), V 700
- 4.6 Power supply by stabilized DC voltage, V1-10

5 Mechanical characteristics

- 5.1 Vibration resistance (sinusoidal vibration):
 - Frequency range, Hzfrom 10 to 5000
 - Acceleration amplitude, m/s²500
- 5.2 Shock resistance (multiple mechanical shocks):
 - Shock acceleration peak, m/s²1000
 - Shock pulse width, ms 2
- 5.3 Torque effect while installation:

Operating pressure range, MPa	Female thread	Male thread
100-250	35 N·m	50 N·m
400-500	50 N·m	80 N·m

Microtensor

High pressure sensors HD Series

6 Operating conditions

- 6.1 IP level IP40
- 6.2 Sensor body (pressure connection) and membrane are made without joint welds and of titanium alloy with 87 % of titanium.
- 6.3 Pressure media - gases, liquids and their mixtures not aggressive to the titanium alloy (air, sea water, 5 % vitriol acid , chlorine water, chloride solutions, oils, ethyne etc)

Microtensor

High pressure sensors HD Series

Lomonosov str.6, building 2, 302040 Orel, Russia
Tel.: +7(4862) 30-34-50, e-mail: mail@microtensor.ru

M-057
2020

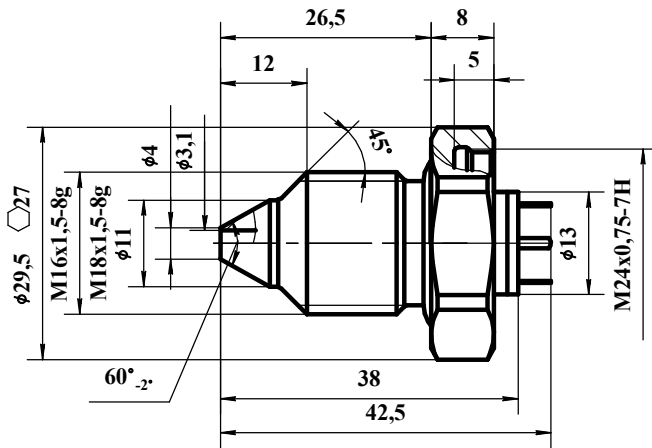
Page 4

Pages 7

7 Overall and mounting dimensions

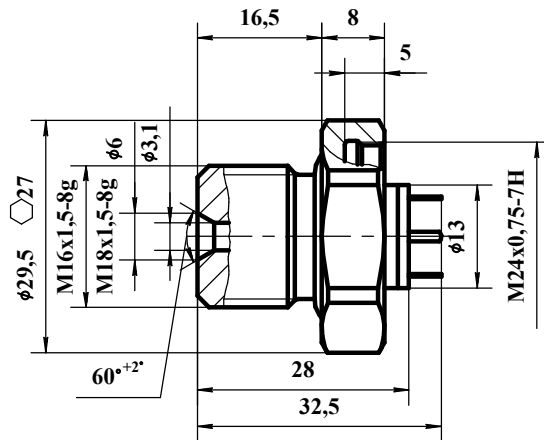
7.1 Version with pins

HD 100(160...500)-...-MH1(MH2)-P



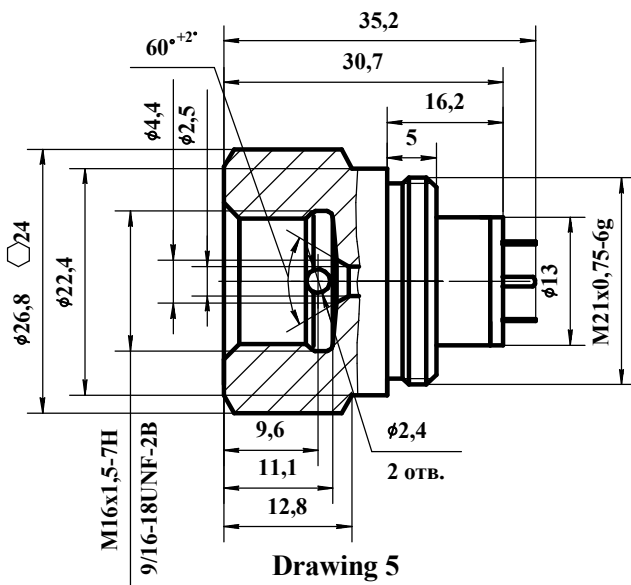
Drawing 1

HD 100(160...500)-...-MB1(MB2)-P



Drawing 3

HD 100(160...500)-...-2M(2U)-P

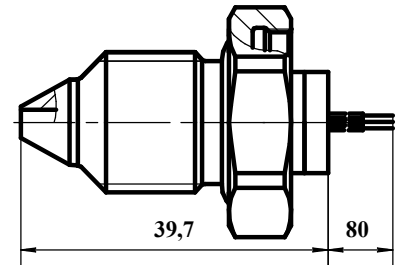


Drawing 5

7.2 Version with wires

HD 100(160...500)-...-MH1(MH2)-L

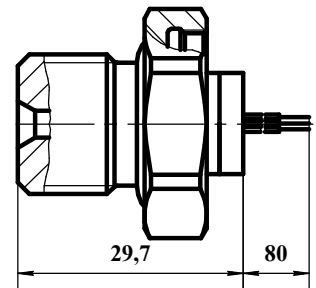
Thread	Code
M16x1,5-8g	MH1
M18x1,5-8g	MH2



The rest -
ref. drawing 1
Drawing 2

HD 100(160...500)-...-MB1(MB2)-L

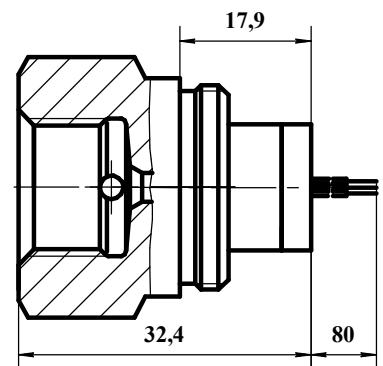
Thread	Code
M16x1,5-8g	MB1
M18x1,5-8g	MB2



The rest -
ref. drawing 3
Drawing 4

HD 100(160...500)-...-2M(2U)-L

Thread	Code
M16x1,5-7H	2M
9/16-18UNF-2B	2U



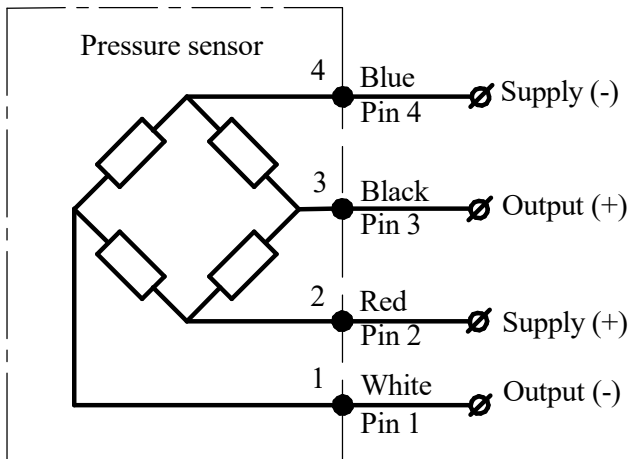
The rest -
ref. drawing 5
Drawing 6

Microtensor

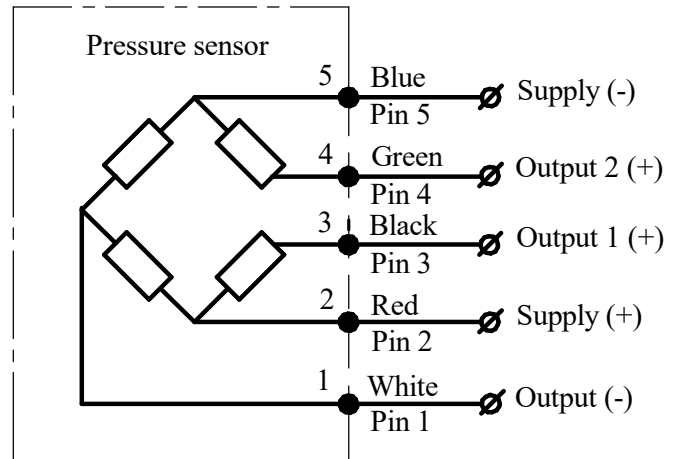
High pressure sensors HD Series

8 Circuit diagram

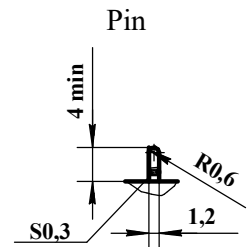
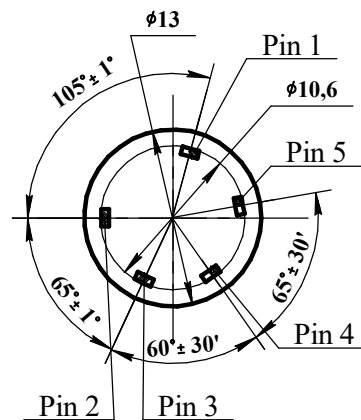
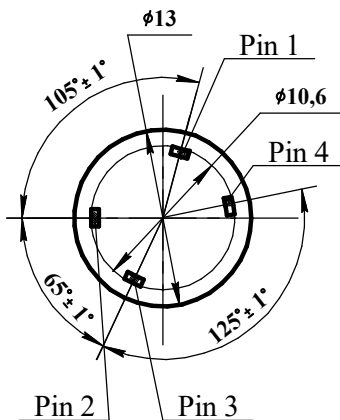
"Closed bridge" diagram



"Open bridge" diagram



Pins configuration

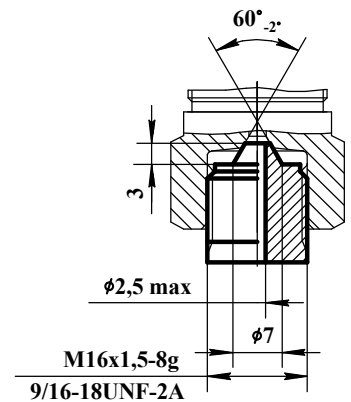
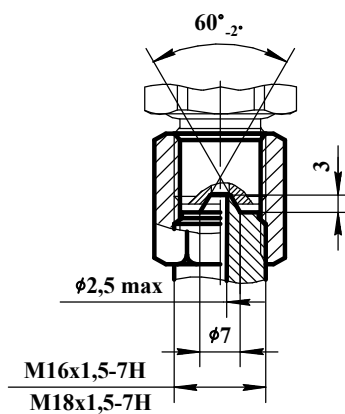
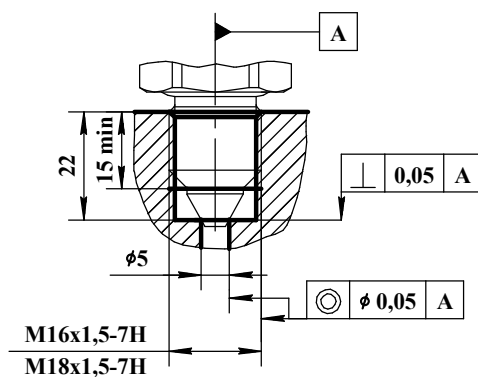


9 Mounting diagrams

HD 100(160...500)-...-MH1(MH2)...

HD 100(160...500)-...-2M(2U)...

HD 100(160...500)-...-MB1(MB2)...



Microtensor

High pressure sensors HD Series

10 Type designation

	HD	XXX	XX	XXX	X
Series					
Upper gauge pressure limit					
100; 160; 200; 250; 400; 500 MPa					
Operating ambient temperature range					
Version 1 - from - 45 to + 125 °C; Version 2 - from - 45 to + 155 °C; Version 3 - from - 45 to + 200 °C					
Circuit					
0 - "closed bridge" circuit; 1 - "open bridge" circuit					
Thread code					
MH1 - M16x1,5-8g - external with male cone; MH2 - M18x1,5-8g - external with male cone MB1 - M16x1,5-8g - external with female cone; MB2 - M18x1,5-8g - external with female cone 2M - M16x1,5-7H - internal; 2U - 9/16-18UNF-2B - internal					
Electrical connection					
L - flexible wire 80 mm length; P - pin 4,5 mm height					

Order example of pressure sensor

Pressure sensor of HD series, intended for pressure conversion from 0 to 200 MPa, for operation within temperature range from - 45 to + 200 °C, with "open bridge" circuit, M16x1,5-8g thread, external with female cone and flexible wire 80 mm length:

Pressure sensor HD 200-31-MB1-L.

Note: if wished, the wire length (standard 80 mm) can be changed, in this case the required length should be added to the wire code L, for example:

Pressure sensor HD 200-31-MB1-L200.

11 Marking

Marking on the sensor body must contain following information: series, upper gauge pressure limit in MPa, version of the operating temperature range, circuit type, thread code and order number



Microtensor

High pressure sensors HD Series